



Specifications

Switch Function	SPST, SPDT
Electrical Ratings	UL 61058-1 15A @ 125VAC General Purpose 10A @ 250VAC General Purpose
Electrical Life	10,000 cycles typical

Contact Resistance	≤ 50mΩ initial
Dielectric Strength	1500Vrms min
Insulation Resistance	≥ 100MΩ min
Operating Temperature	-40°C to +105°C
Storage Temperature	-40°C to +105°C

Materials

Actuator	6/6 Nylon
Housing	6/6 Nylon
Actuator Lens	6/6 Nylon
Contacts	Silver Alloy
Terminals	Brass, Silver Plated

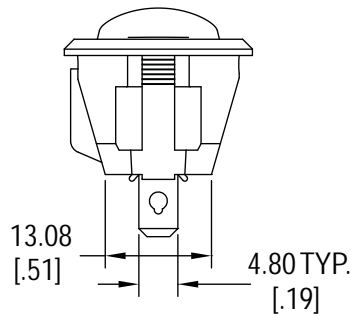
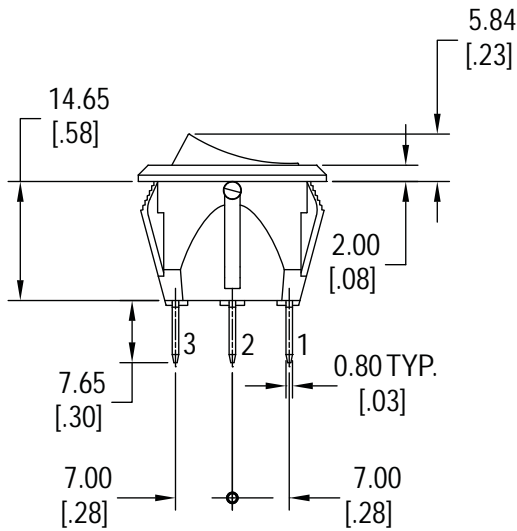
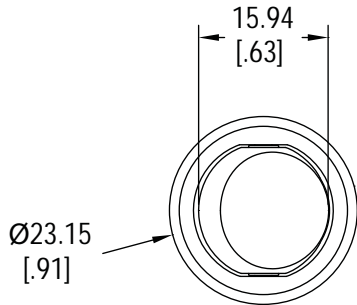
Ordering Information




1. Series	RR1	1	1	2	2	B	W	C
RR1								
2. Number of Poles								
1 = Single Pole								
3. Switch Function								
1 = OFF - ON								
4 = ON - ON								
6 = ON - OFF - ON								
4. Housing Color								
1 = White								
2 = Black								
9 = Gray								
5. Actuator Color								
1 = White	4 = Yellow	7 = Blue						
2 = Black	5 = Green	8 = Purple						
3 = Red	6 = Orange	9 = Gray						
6. Actuator Marking								
A	D	G	J					
B	E	H	K					
C	F	I						
7. Actuator Marking Color								
Blank = No marking								
B = Black								
W = White								
R = Red								
8. Terminal Options								
C = .187" Quick Connect / Solder Lug								

RR1

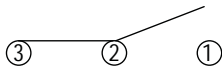
Round Rocker

Dimensions

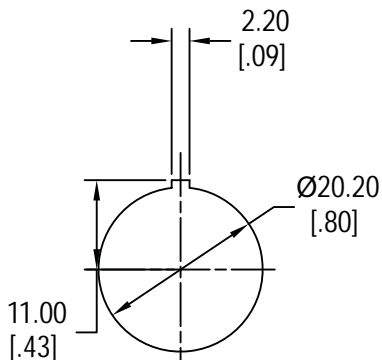


			
Function	Position 1	Position 2	Position 3
1	OFF	NONE	ON
Terminals	—	—	2~1
4	ON	NONE	ON
6	ON	OFF	ON
Terminals	2~3	—	2~1

Schematics

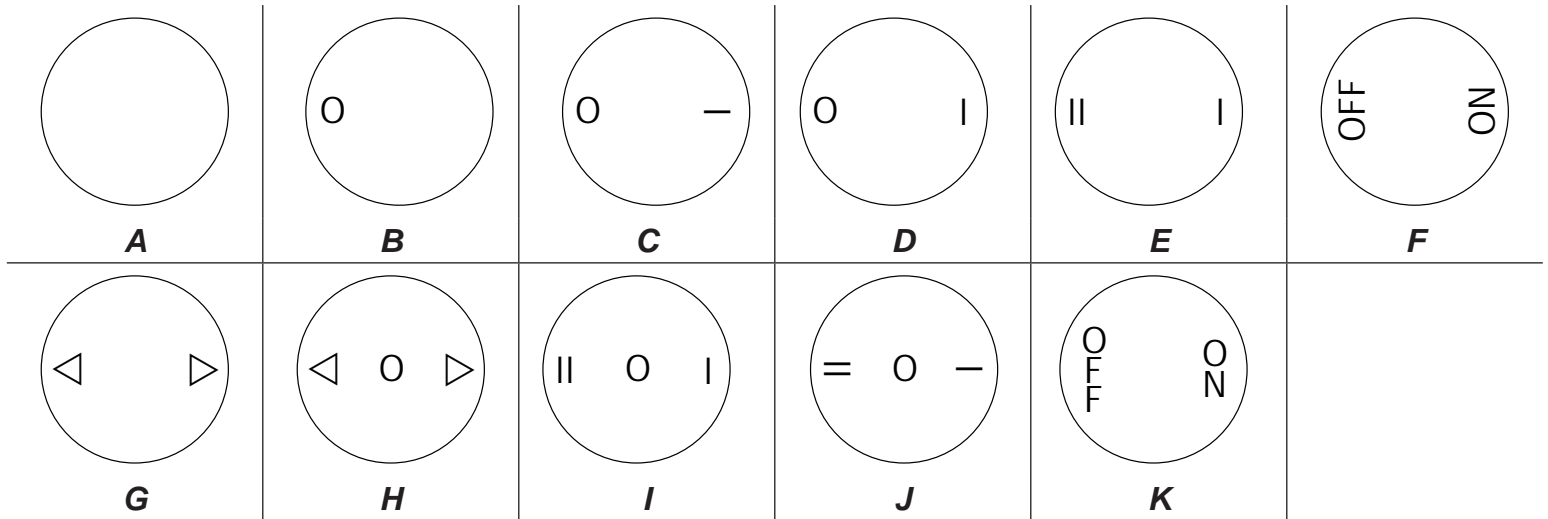


Panel Cut Out



Panel cut out material thickness : 0.8mm ~ 3.0mm

Actuator Marking Options



Terminal Options

